

BLSD.010101.300 ГЧ

Перв. примен.

Справ. №  
000060660

Редакция

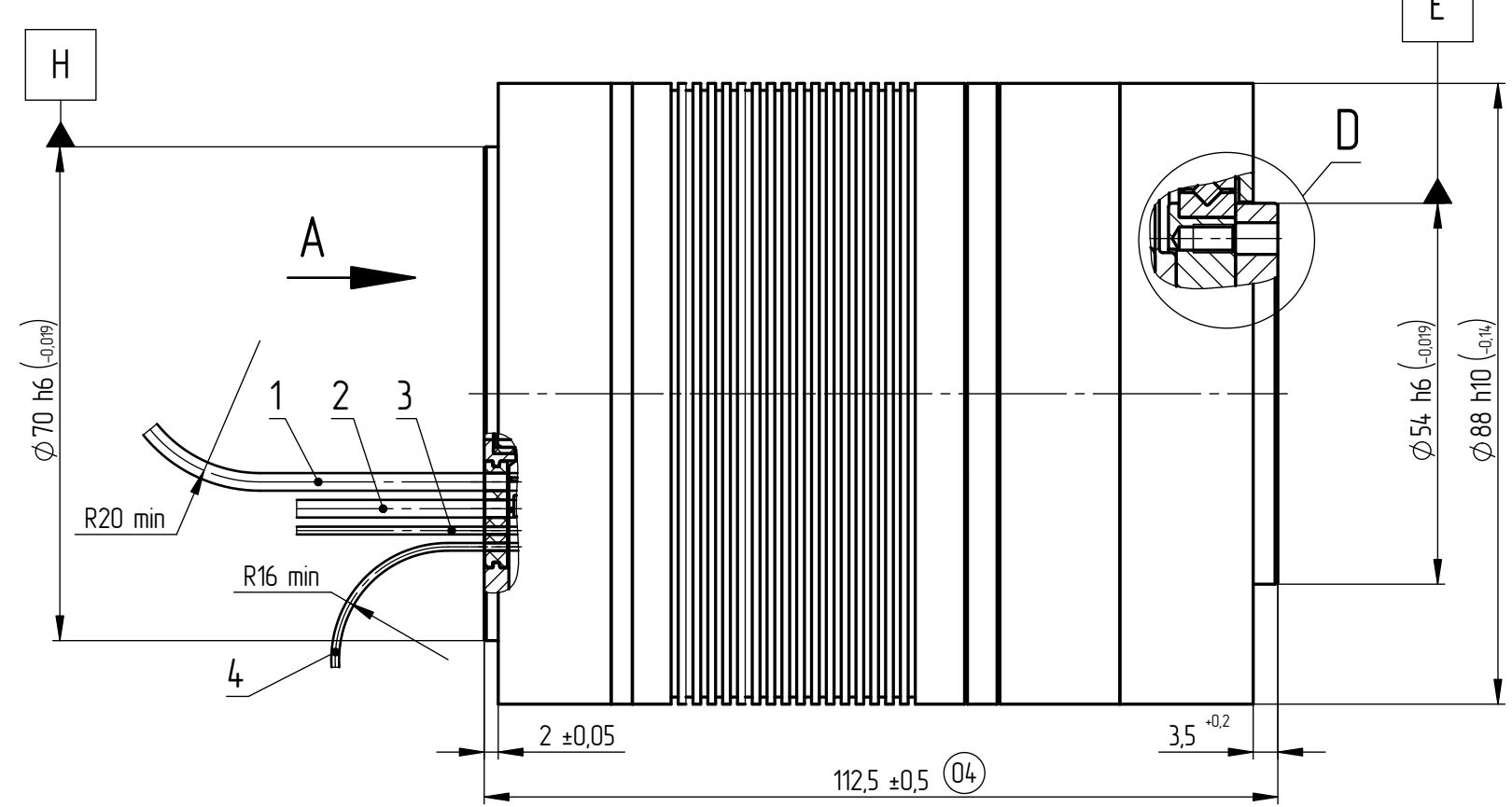
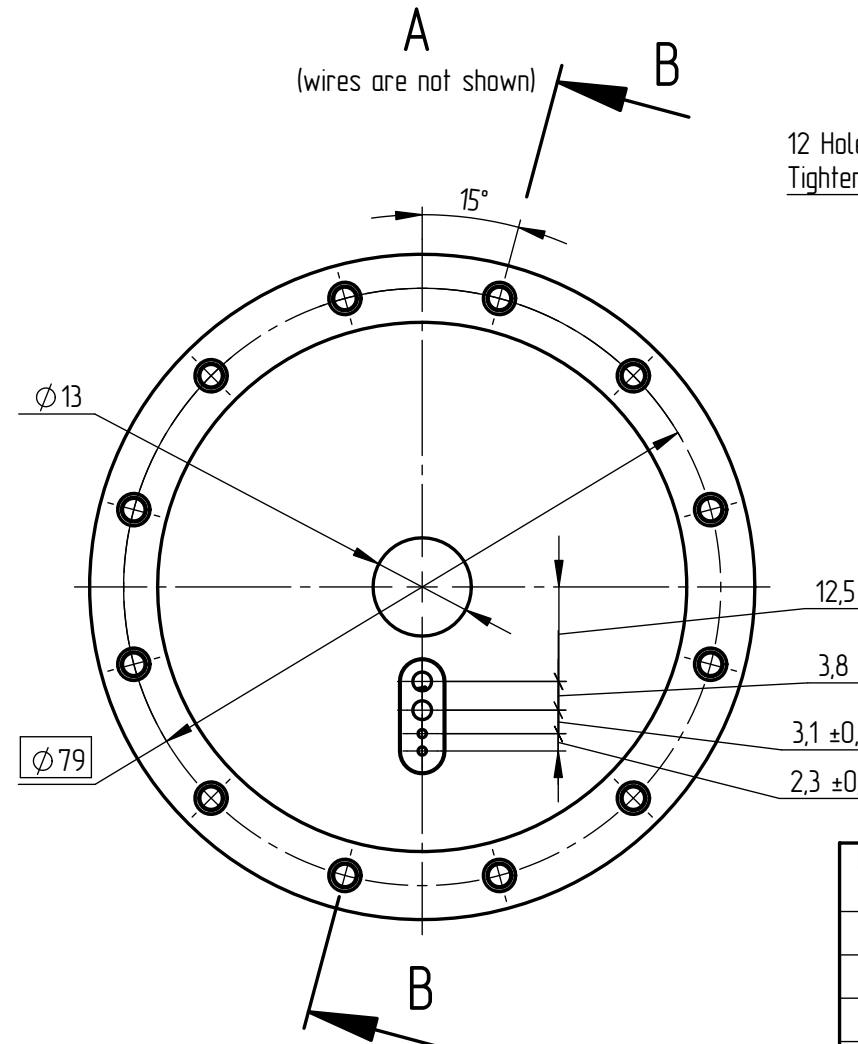
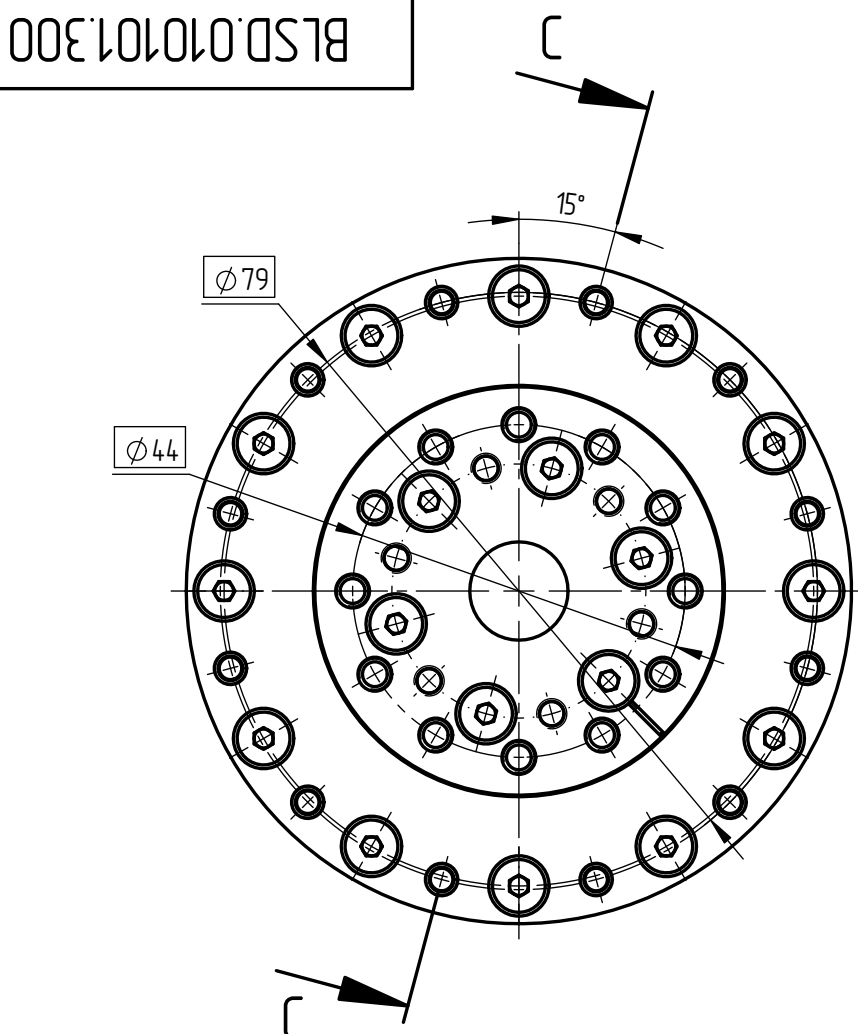
Подп. и дата

Изм. № дубл.

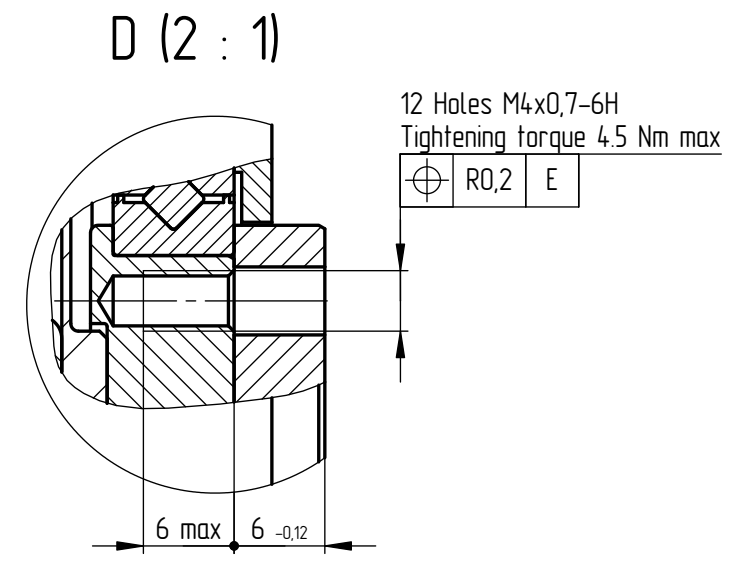
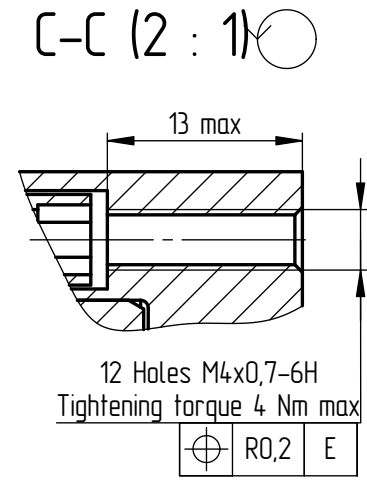
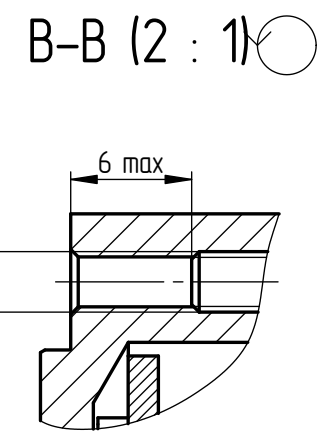
Взам. изм. №

Подп. и дата

Изм. № подл.



12 Holes M4x0,7-6H  
Tightening torque 4 Nm max  
⊕ R0,2 H



12 Holes M4x0,7-6H  
Tightening torque 4.5 Nm max  
⊕ R0,2 E

Metal-to-metal contacts between fasteners and mounting threaded holes function as PE

| Pos. of lead | Color | Signal       | Min. length, mm. |
|--------------|-------|--------------|------------------|
| 1            | Red   | 48v AWG17    | 150              |
| 2            | Black | Ground AWG17 |                  |
| 3            | Brown | CAN+ AWG26   |                  |
| 4            | Blue  | CAN- AWG26   |                  |

|             |       |            |           |          |
|-------------|-------|------------|-----------|----------|
| 04          |       |            |           |          |
| Rev.        | Sheet | Document № | Signature | Date     |
|             |       | Rabtsevich |           | 04.02.19 |
| Designed by |       |            |           |          |
| Checked by  |       |            |           |          |
| T. check    |       |            |           |          |
| N. check.   |       |            |           |          |
| Appr. by    |       |            |           |          |

BLSD.010101.300 ГЧ

Servomotor RDrive 85  
Confirmation drawing

| Letter | Weight    | Scale |
|--------|-----------|-------|
|        | 2.2       | 1:1   |
| Sheet  | of sheets |       |

