

BLSD.010101.100 ГЧ

Перв. примен.

Справ. №

Редакция

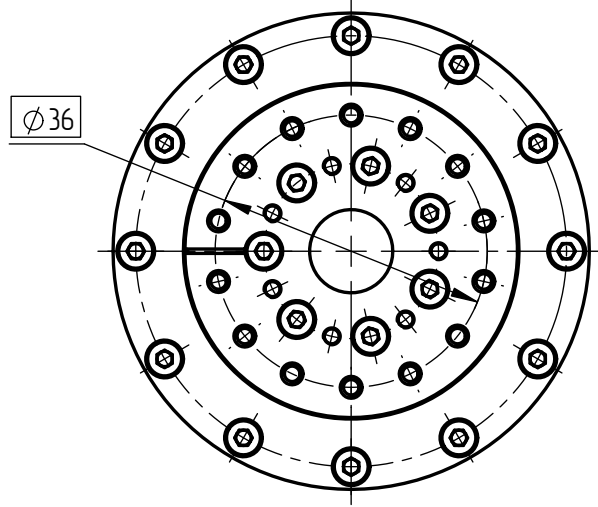
Подп. и дата

Изм. № дубл.

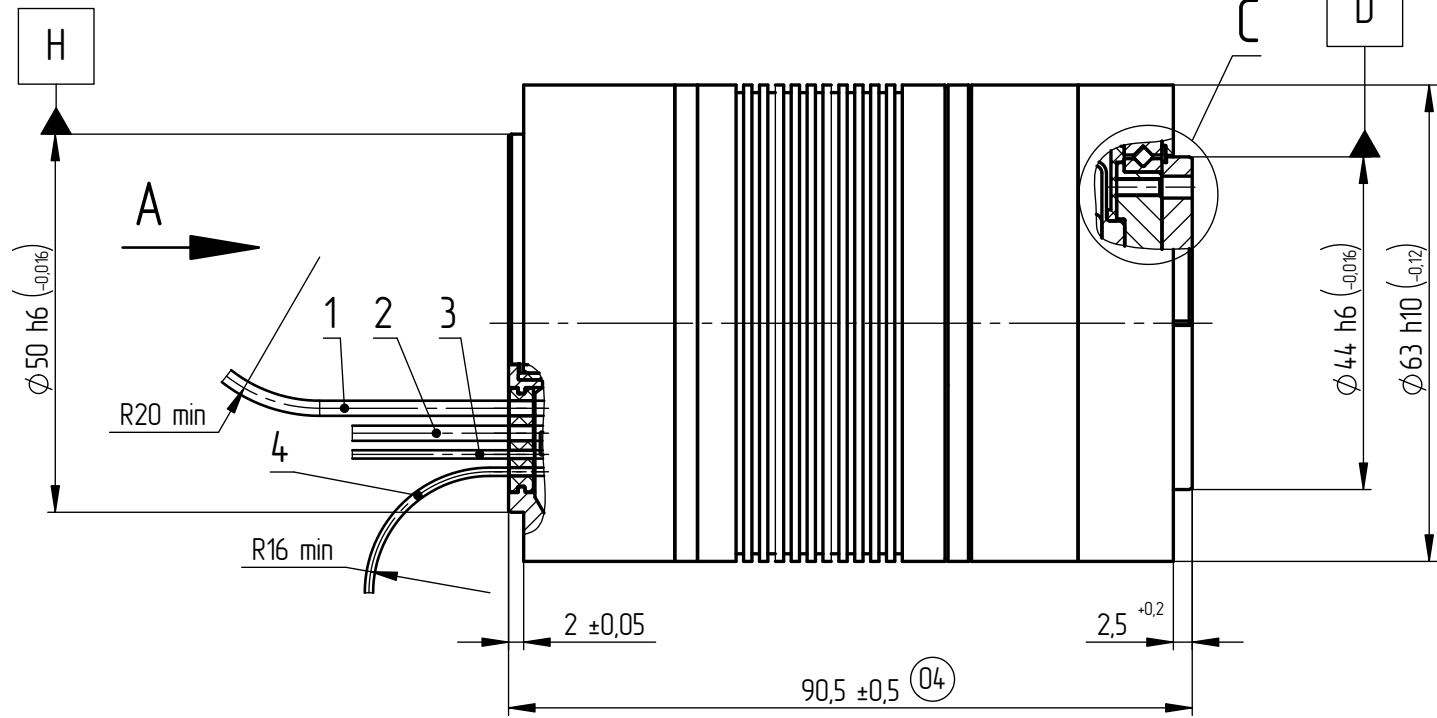
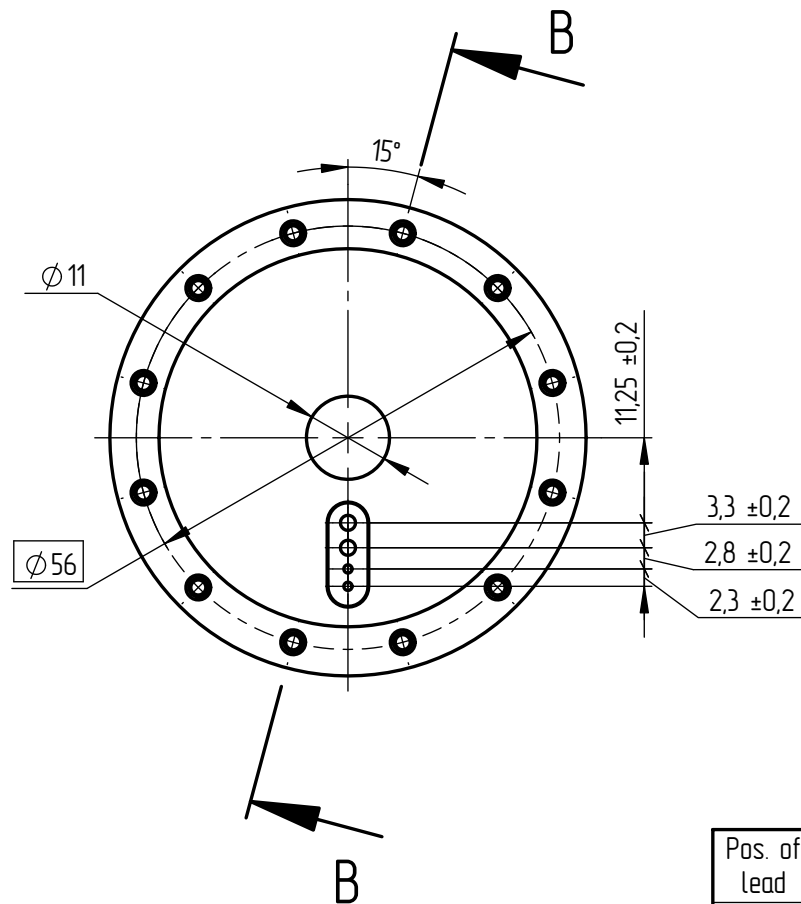
Взам. изм. №

Подп. и дата

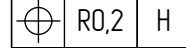
Изм. № подл.



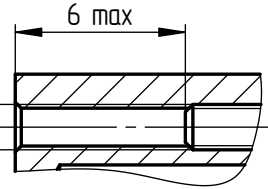
A  
(wires are not shown)



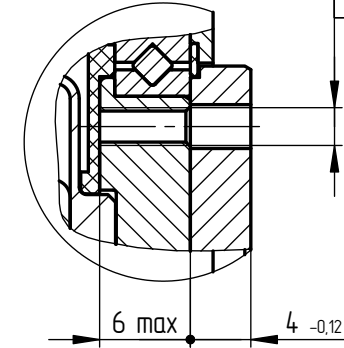
12 Holes M3x0,5-6H  
Tightening torque 2,6 Nm max



B-B (2 : 1)



C (2 : 1)



14 Holes M2,5x0,45-6H  
Tightening torque 1,4 Nm max



Metal-to-metal contacts between fasteners and mounting threaded holes function as PE

Pos. of lead	Color	Signal	Min. length, mm.
1	Red	48v AWG20	150
2	Black	Ground AWG20	
3	Brown	CAN+ AWG26	
4	Blue	CAN- AWG26	

04				
Rev.	Sheet	Document №	Signature	Date
		Rabtsevich		30.01.19
		Checked by		
		T. check		
		Norm.check		
		Appr. by		

BLSD.010101.100 ГЧ

Servomotor RDrive 60  
Confirmation drawing

Лист	Маща	Мащмащ
	0.84	1:1
Sheet	of sheets	

