

Перв. примен.

Спраб. №
000077453

Подп. и дата

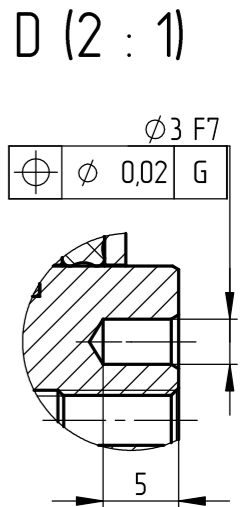
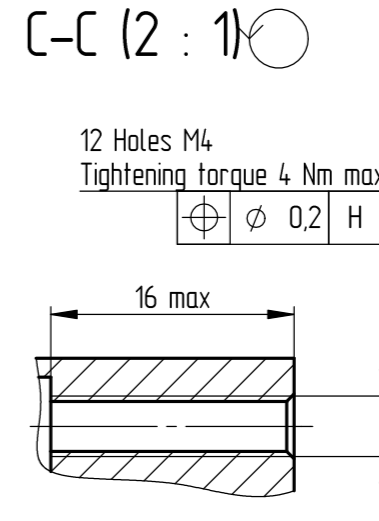
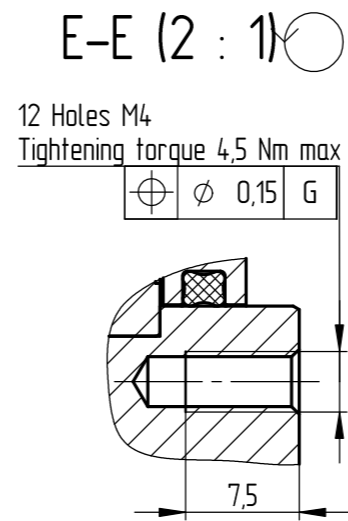
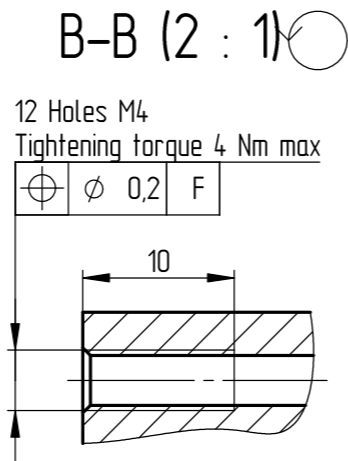
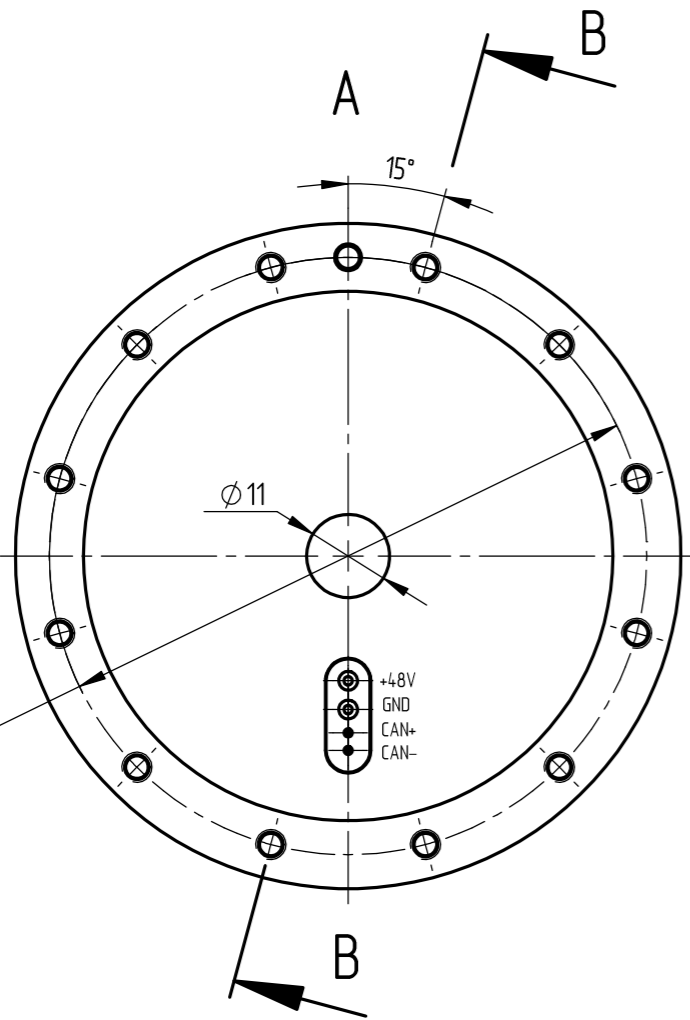
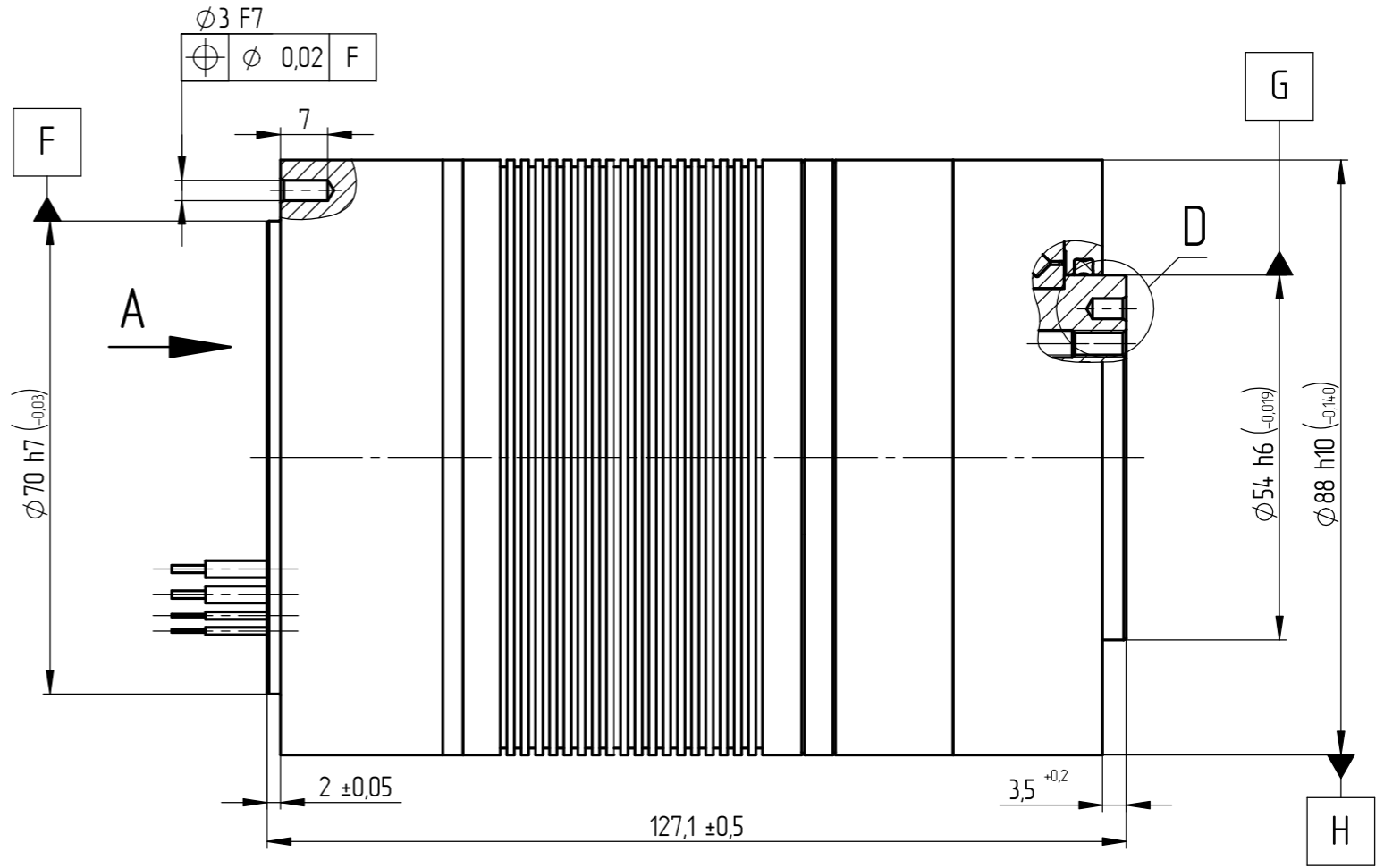
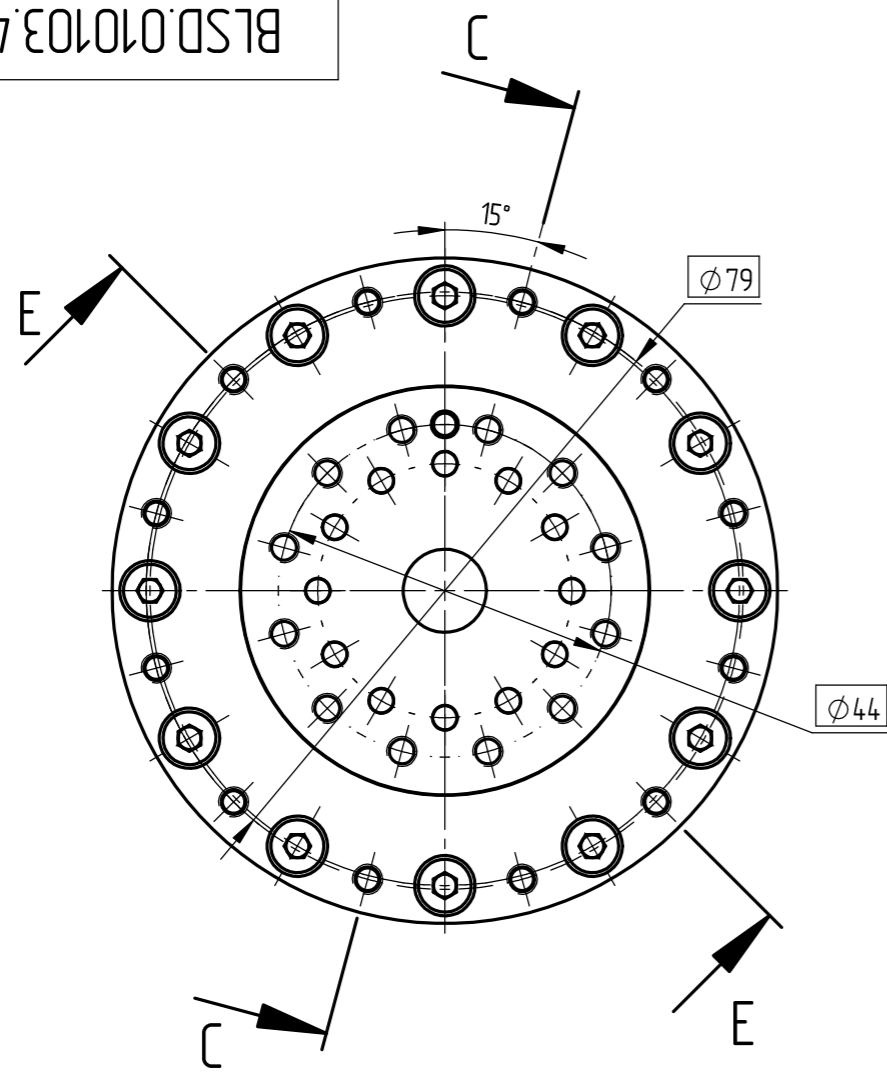
Изм. № дудл.

Взам. изм. №

Подп. и дата

Изм. № подл.

BLSD.010103.400 DD



Metal-to-metal contacts between fasteners and mounting threaded holes function as PE

Pos. of lead	Color	Signal	Min. length, mm.
1	Red	48v AWG17	150
2	Black	Ground AWG17	
3	Brown	CAN+ AWG26	
4	Blue	CAN- AWG26	

(01)	Rev. Sheet	Document №	Signature	Date
	Designed by	Rabtsevich		05.12.19
	Checked by	T. check		
	N. check.			
	Appr. by			

BLSD.010103.400 DD

Servomotor RDrive 85
Dimensional drawing

Letter	Weight	Scale
	2.9	1:1
Sheet	of sheets 1	

