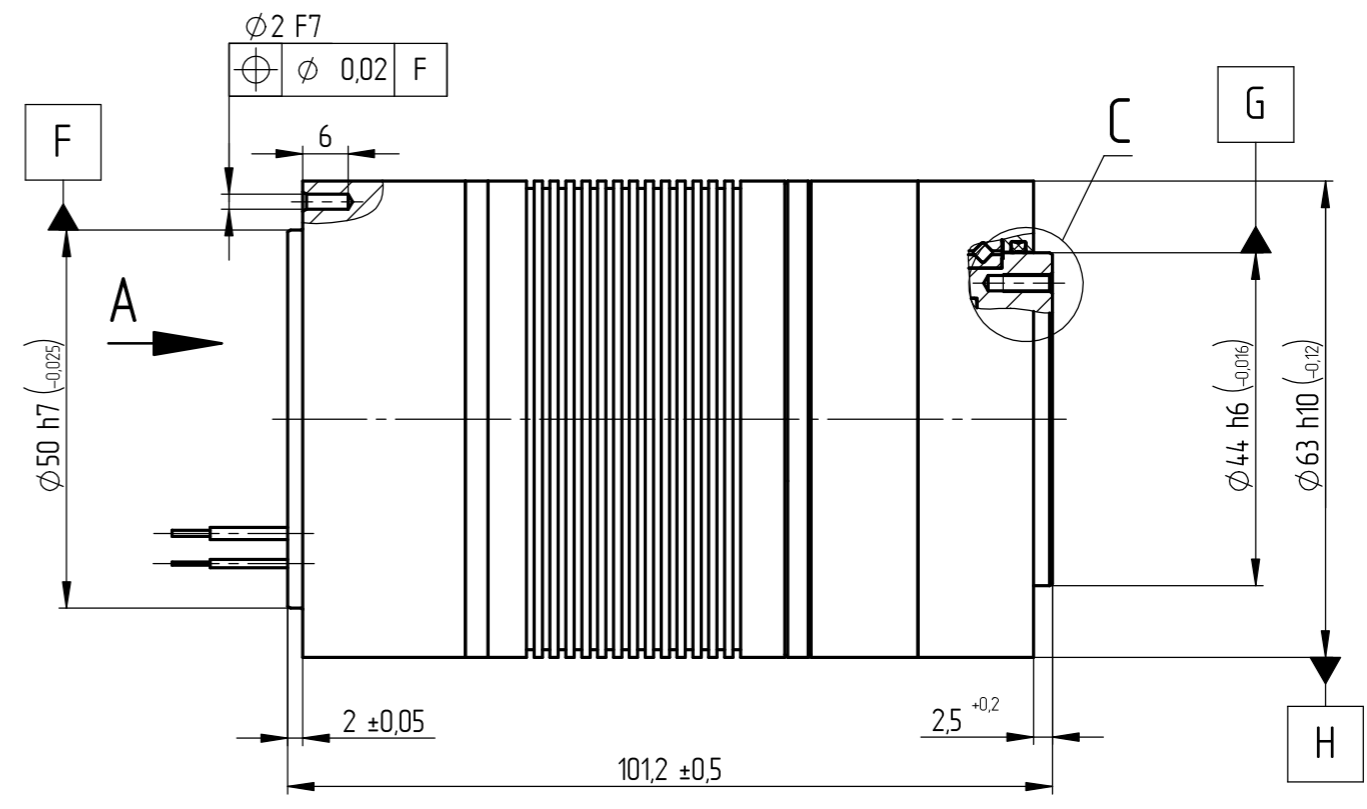
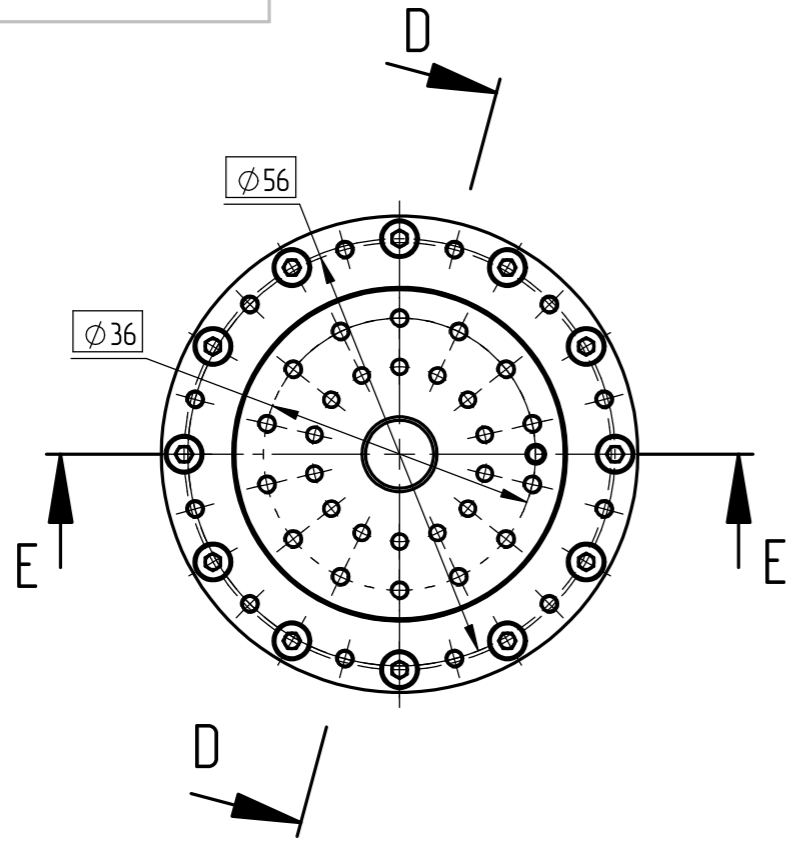
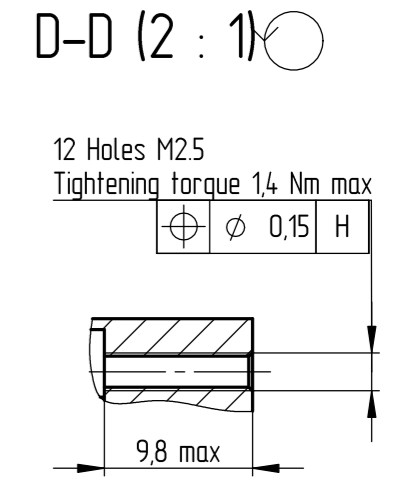
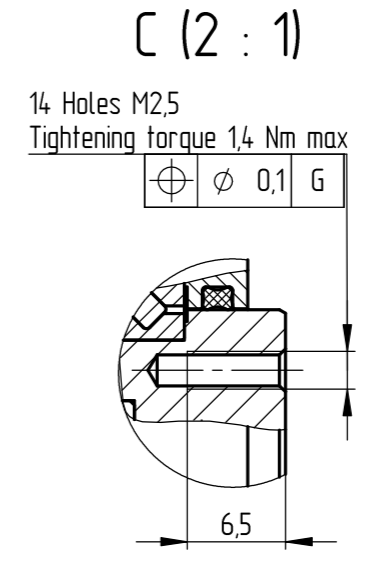
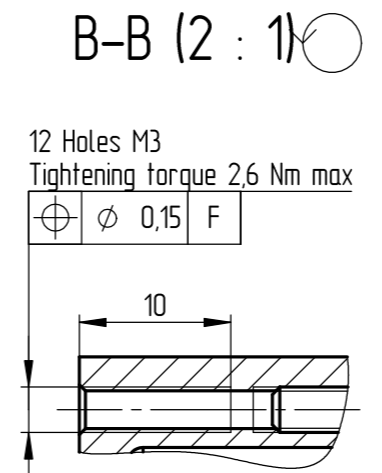
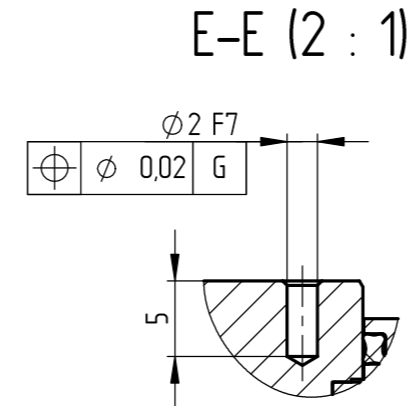
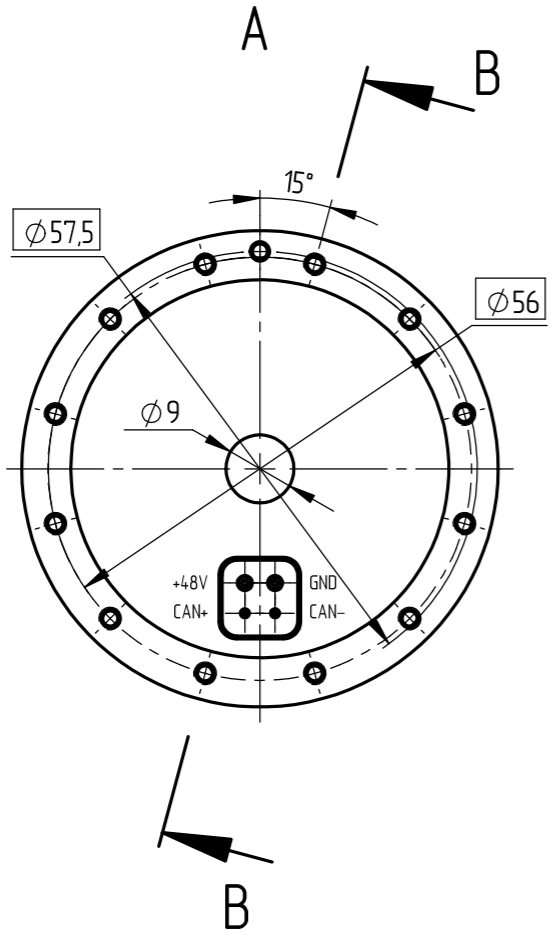


BLSD.010103.200 DD

Перб. примен.  
Спраб. №  
000077334



Подл. и дата  
Ииб. № дубл.  
Взам. ииб. №  
Подл. и дата  
Ииб. № подл.



Metal-to-metal contacts between fasteners and mounting threaded holes function as PE

Pos. of lead	Color	Signal	Min. length, mm.
1	Red	48v AWG20	150
2	Black	Ground AWG20	
3	Brown	CAN+ AWG26	
4	Blue	CAN- AWG26	

(01)	Rev. Sheet	Document №	Signature	Date
	Designed by	Rabtsevich		02.12.19
	Checked by	T. check		
	Norm.check			
	Appr. by			

BLSD.010103.200 DD

Servomotor RDrive 60  
Dimensional drawing

Лум.	Маца	Мацумаџ
	1.28	1:1
Sheet	of sheets	1

