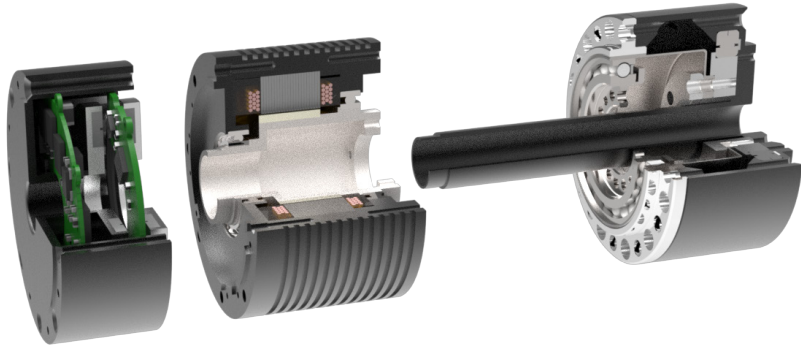


HIGH PRECISION GEARED
SERVO MOTORS



RDRIVE: HIGH PRECISION SERVO MOTORS



UNRIVALED PERFORMANCE AND QUALITY

All RDrive servo motor series demonstrate remarkable operating performance and extremely high quality of fit and finish - at an attractive price.

SLEEK AND PRACTICAL DESIGN

These compact, energy efficient servos come in a sleek and thoroughly considered design where the use of every fraction of a millimeter is justified. As a result, the servos fit in cluttered space, and enhance the system's look-and-feel.

OPTIONS TO EXACTLY SUIT YOUR NEEDS

Countless configuration options for RDrive servos let you get a motor that exactly fits your system.

Possible options include: integrated controller, IP rating, extra cooling, different feedback options, housing, wire sizes, position and material, front or back mount and more.

ATTRACTIVE PRICING

Alongside being cutting edge technology for precise, durable and extremely efficient servo motors, RDrive also means affordable pricing, which is the result of thoroughly considered design and streamlined production workflows.

TECHNICAL CHARACTERISTICS

MODEL	RD50	RD60	RD70	RD85
Power	80 W	140 W	235 W	500 W
Rated torque	14 Nm	30 Nm	50 Nm	120 Nm
Peak torque	36 Nm	70 Nm	120 Nm	215 Nm
Rated rotation speed	55 rpm	45 rpm	45 rpm	40 rpm
Diameter	50 mm	60 mm	70 mm	85 mm
Length	82 mm	84.5 mm	92 mm	106 mm
Hollow shaft diameter	10 mm	14 mm	14 mm	14 mm
Weight	440 g	600 g	915 g	1520 g
Rated voltage	48 V	48 V	48 V	48 V
Operating temperature	-10 °C to +45 °C			
Interface	CAN			
API	C/C++/C#/Java/Python/ROS			
Encoder	2 x 19-bit Absolute Position			

Find detailed specs and complete product info at <https://rozum.com/servo/>

CUSTOM DESIGNED MOTORS

We can deliver a fully custom automation product or solution for your specific needs.

The team of Rozum Robotics specialists with outstanding experience in robotics, electrical control systems, mechanical engineering and software development can craft a solution for just about any challenge.

No matter whether you are at the stage of an idea, or already have the exact requirements, we can help. Get in touch with any questions on a custom robot solution you are thinking about. We can discuss your needs and ideas and think of possible solutions, no obligation on your part.

PROCESS

Here are the stages of the process when working on a turnkey project. However, our specialists can join your project at any of these stages, if necessary.



IDEAL SOLUTION FOR YOUR APPLICATION

We work with every client to create an ideal solution for their application. Often this means doing totally custom-tailored things we did not imagine before.

What is important, we are totally flexible here and instead of configuring a “suitable” solution out of previously defined options, we create the exact fit solution - and quite often this is a completely new and unique motor, by design and construction, torque/speed and other electrical characteristics, electronics etc.

POSSIBLE CHARACTERISTICS OF CUSTOM MOTORS

To create a motor that will exactly fit client's requirements, we have an endless pool of customization options. Below are just a few options we can easily use in your project. But be sure we are ready for new challenges we have not foreseen yet.

ELECTRICAL & MECHANICAL	CONSTRUCTION
Voltage: 12/24/48/220V	Diameter: 50/60/70/85 mm or other on demand
Power: 10-1000W	Shaft: Hollow Shaft/Round/Star/Threaded spindle with nut
Torque/Speed optimization* <i>*Always optimized per clients needs</i>	Mount: Front Mount (Round/Square/NEMA) or Back Mount (No/Flange/Bearing/Other)
Gearhead: No gear/Spur/Cycloidal/Planetary/Strain wave	Wires: Position (Back/Side), Connectors (Terminals/Soldered wires/Molex), Length (50/100/150/200/300/500 mm), Material (polyvinyl chloride/polyolefin/fluorinated ethylene propylene)
FEEDBACK	CONTROLLER
Type: None/Single/Dual, Hall/Magnetic	No/Integrated/External
Singleturn /Multiturn (with/without battery)	Position/Speed control
Interface options	Communication: Analog/RS485/232/CAN/EtherCAT/other on demand
HOUSING	ENVIRONMENT
Coating options	High temperature, autoclave ready
Color options	High pressure
Labels	Clean room
	IP rating
ACCESSORIES	OTHER
Wires	Cooling: Air/Fan/Water/other
Breaking resistor	Brake
EMC filter	

NOTES



WEBSITE:

WWW.ROZUM.COM

NORTH AMERICA:

Rozum Robotics INC
491 N Orinda Ct, Mountain House, CA,
95391, United States
Phone: 1 408 4170336

EMAILS:

SALES: SALES@ROZUM.COM

R&D: RD@ROZUM.COM

EUROPE:

BelServoDrvie LTD
Olshevskogo str., 20/11, office 22, Minsk
Belarus
Phone: 375 33 376 04 60